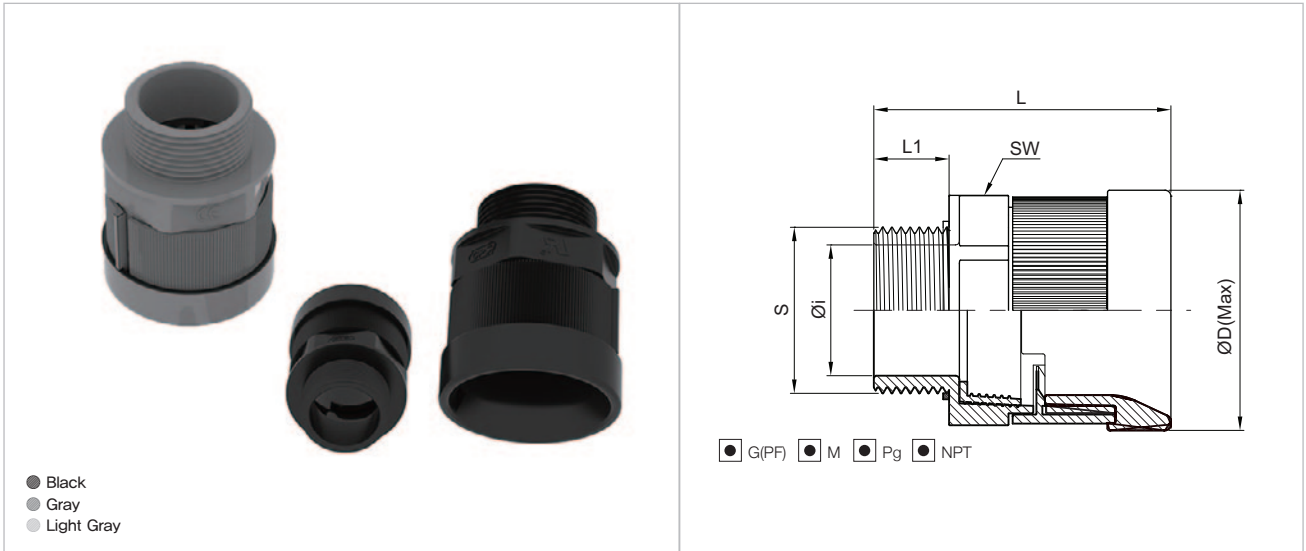
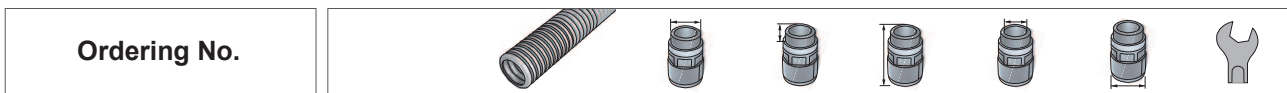


※ Include rubber washer & Lock-nut



- Material : High Quality Polyamide 6 (PA6)
- Degrees of Protection : IP 68 (EN 60529)
- The max. Instantaneous Temperature : -40℃ ~ +105℃
- Short Term : +150℃
- Self-Extinguishing : UL94-HB
- Eco-friendly : Free of Halogen & cadmium, RoHS2
- Color : Black & Gray & LG (Light Gray)
- Application : Railroad cars, Industrial / Automatic Machinery, Machine tool, Shipbuilding, etc..
- Certification : UL, CE, VDE

Product Size



PF Thread (JIS B0202)

Black	Gray	Thread(inch)	Tube Size	S	L1	L	Øi	ØD	SW
PNC-G07B	PNC-G07G	G1/4	07	12.9	11.0	34.0	8.5	18.0	14.0
PNC-G10B	PNC-G10G	G1/2	10	20.5	13.0	43.5	15.0	24.5	19.7
PNC-G12B	PNC-G12G	G1/2	12	20.5	13.0	43.1	15.0	27.6	22.8
PNC-G16B	PNC-G16G	G1/2	16	20.5	13.0	45.0	15.2	33.0	28.0
PNC-G22B	PNC-G22G	G3/4	22	26.0	15.0	54.7	22.0	43.0	37.5
PNC-G28B	PNC-G28G	G1	28	32.8	15.0	62.4	27.0	48.8	43.0
PNC-G36B	PNC-G36G	G1 1/4	36	41.7	19.0	76.6	33.0	60.6	52.2
PNC-G42B	PNC-G42G	G1 1/2	42	47.4	19.0	78.0	40.8	65.0	58.0
PNC-G428B	PNC-G428G	G1 1/2	48	47.4	21.0	81.4	41.0	71.8	64.3
PNC-G48B	PNC-G48G	G2	48	59.2	21.0	81.4	50.0	71.8	64.3

Ordering No.



Metric Thread (EN 60423)

Black	Gray	Thread	Tube Size	S	L1	L	Øi	ØD	SW
PNC-M107B	PNC-M107G	M12 X 1.5	07	11.8	11.0	34.0	8.5	18.0	14.0
PNC-M127B	PNC-M127G	M16 X 1.5	07	15.8	11.0	34.0	12.0	18.0	14.0
PNC-M167B	PNC-M167G	M20 X 1.5	07	19.7	11.0	34.0	15.0	18.0	14.0
PNC-M10B	PNC-M10G	M12 X 1.5	10	11.8	13.0	43.5	7.5	24.5	19.7
PNC-M120B	PNC-M120G	M16 X 1.5	10	15.8	13.0	43.5	10.0	24.5	19.7
PNC-M20B	PNC-M20G	M20 X 1.5	10	19.7	13.0	43.5	15.0	24.5	19.7
PNC-M102B	PNC-M102G	M12 X 1.5	12	11.8	13.0	43.1	8.0	27.6	22.8
PNC-M12B	PNC-M12G	M16 X 1.5	12	15.8	13.0	43.1	12.0	27.6	22.8
PNC-M202B	PNC-M202G	M20 X 1.5	12	19.7	13.0	43.1	15.0	27.6	22.8
PNC-M126B	PNC-M126G	M16 X 1.5	16	15.8	13.0	45.0	12.0	33.0	28.0
PNC-M16B	PNC-M16G	M20 X 1.5	16	19.7	13.0	45.0	15.2	33.0	28.0
PNC-M226B	PNC-M226G	M25 X 1.5	16	24.7	13.0	45.0	20.6	33.0	28.0
PNC-M22B	PNC-M22G	M25 X 1.5	22	24.7	15.5	54.7	20.6	43.0	37.5
PNC-M3222B	PNC-M3222G	M32 X 1.5	22	31.7	15.0	54.7	22.0	43.0	37.5
PNC-M28B	PNC-M28G	M32 X 1.5	28	31.7	15.0	62.4	27.0	48.8	43.0
PNC-M4028B	PNC-M4028G	M40 X 1.5	28	39.7	15.0	62.4	30.5	48.8	43.0
PNC-M36B	PNC-M36G	M40 X 1.5	36	39.7	19.0	76.6	33.0	60.6	52.2
PNC-M5036B	PNC-M5036G	M50 X 1.5	36	49.7	19.0	76.6	43.0	60.6	52.2
PNC-M48B	PNC-M48G	M50 X 1.5	48	49.7	21.0	81.4	42.0	71.8	64.3
PNC-M6348B	PNC-M6348G	M63 X 1.5	48	62.7	21.0	81.4	56.8	71.8	64.3

(without Rock Nut)

Pg Thread (DIN 40430)

Black	Gray	Thread	Tube Size	S	L1	L	Øi	ØD	SW
PNC-P077B	PNC-P077G	Pg 07	07	12.4	11.0	34.0	8.5	18.0	14.0
PNC-P097B	PNC-P097G	Pg 09	07	15.0	11.0	34.0	12.0	18.0	14.0
PNC-P117B	PNC-P117G	Pg 11	07	18.3	11.0	34.0	14.0	18.0	14.0
PNC-P137B	PNC-P137G	Pg 13.5	07	20.2	11.0	34.0	15.0	18.0	14.0
PNC-P070B	PNC-P070G	Pg 07	10	12.4	13.0	43.5	8.0	24.5	19.7
PNC-P09B	PNC-P09G	Pg 09	10	15.0	13.0	43.5	10.0	24.5	19.7
PNC-P110B	PNC-P110G	Pg 11	10	18.3	13.0	43.5	12.0	24.5	19.7
PNC-P130B	PNC-P130G	Pg 13.5	10	20.2	13.0	43.5	15.0	25.0	19.7
PNC-P160B	PNC-P160G	Pg 16	10	22.3	13.0	43.5	15.0	25.0	19.7
PNC-P0912B	PNC-P0912G	Pg 09	12	15.0	13.0	43.1	12.0	27.6	22.8
PNC-P11B	PNC-P11G	Pg 11	12	18.3	13.0	43.1	14.0	27.6	22.8
PNC-P132B	PNC-P132G	Pg 13.5	12	20.2	13.0	43.1	15.0	27.6	22.8
PNC-P162B	PNC-P162G	Pg 16	12	22.3	13.0	43.1	15.0	27.6	22.8
PNC-P136B	PNC-P136G	Pg 13.5	16	20.2	13.0	45.0	15.2	33.0	28.0
PNC-P16B	PNC-P16G	Pg 16	16	22.3	13.0	45.0	17.2	33.0	28.0
PNC-P216B	PNC-P216G	Pg 21	16	28.0	13.0	45.0	17.5	33.0	28.0
PNC-P163B	PNC-P163G	Pg 16	22	22.3	15.0	54.7	18.0	43.0	37.5
PNC-P21B	PNC-P21G	Pg 21	22	28.0	15.0	54.7	22.0	43.0	37.5
PNC-P29B	PNC-P29G	Pg 29	28	36.7	15.0	62.4	30.5	48.8	43.0
PNC-P36B	PNC-P36G	Pg 36	36	46.7	19.0	76.6	41.0	60.6	52.2
PNC-P48B	PNC-P48G	Pg 48	48	59.0	21.0	81.4	51.2	71.8	64.3

NPT Thread (ANSI/ASME B1.20.1)

Black	Gray	Thread	Tube Size	S	L1	L	Øi	ØD	SW
PNC-N10B	PNC-N10G	NPT 1/2"	10	20.6	13.0	43.5	15.0	24.5	19.7
PNC-N12B	PNC-N12G	NPT 1/2"	12	20.6	13.0	43.1	15.0	27.6	22.8
PNC-N16B	PNC-N16G	NPT 1/2"	16	20.6	13.0	45.0	15.2	33.0	28.0
PNC-N22B	PNC-N22G	NPT 3/4"	22	26.0	15.0	54.7	22.0	43.0	37.5
PNC-N28B	PNC-N28G	NPT 1"	28	33.0	15.0	62.4	27.0	48.8	43.0